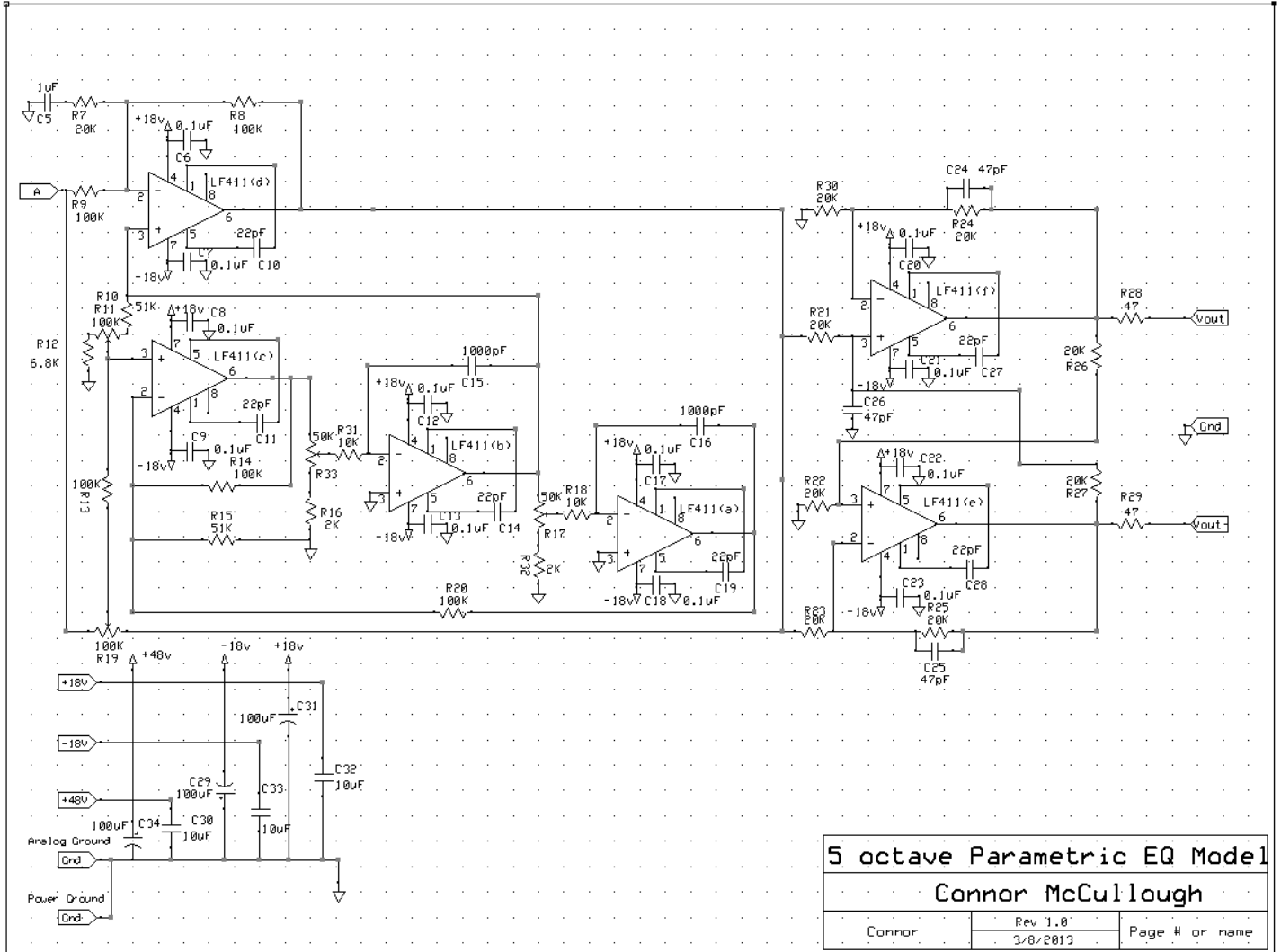
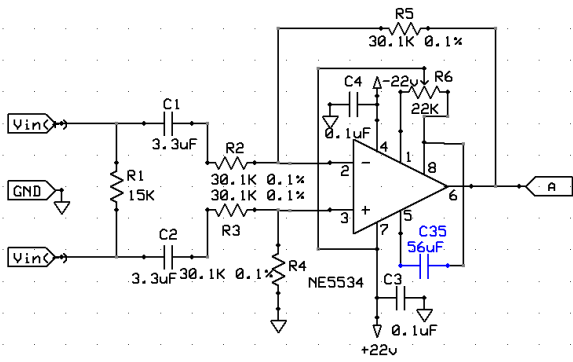


Project 4: Parametric EQ Module
Connor McCullough
MMI 172

Schematic:





Build of Materials:

- C1 3.3uF
- C2 3.3uF
- C3 0.1uF
- C4 0.1uF
- C5 1uF
- C6 0.1uF
- C7 0.1uF
- C8 0.1uF
- C9 0.1uF
- C10 22pF
- C11 22pF
- C12 0.1uF
- C13 0.1uF
- C14 22pF
- C15 1000pF
- C16 1000pF
- C17 0.1uF
- C18 0.1uF
- C19 22pF
- C20 0.1uF
- C21 0.1uF
- C22 0.1uF
- C23 0.1uF
- C24 47pF
- C25 47pF
- C26 47pF
- C27 22pF

C28 22pF
C29 100uF
C30 10uF
C31 100uF
C32 10uF
C33 10uF
C34 100uF
C35 56uF
LF411(a)
LF411(b)
LF411(c)
LF411(d)
LF411(e)
LF411(f)
NE5534
R1 15K
R2 30.1K 0.1%
R3 30.1K 0.1%
R4 30.1K 0.1%
R5 30.1K 0.1%
R6 22K
R7 20K
R8 100K
R9 100K
R10 51K
R11 100K
R12 6.8K
R13 100K
R14 100K
R15 51K
R16 2K
R17 50K
R18 10K
R19 100K
R20 100K
R21 20K
R22 20K
R23 20K
R24 20K
R25 20K
R26 20K
R27 20K
R28 47
R29 47
R30 20K
R31 10K
R32 2K
R33 50K

Layout:

